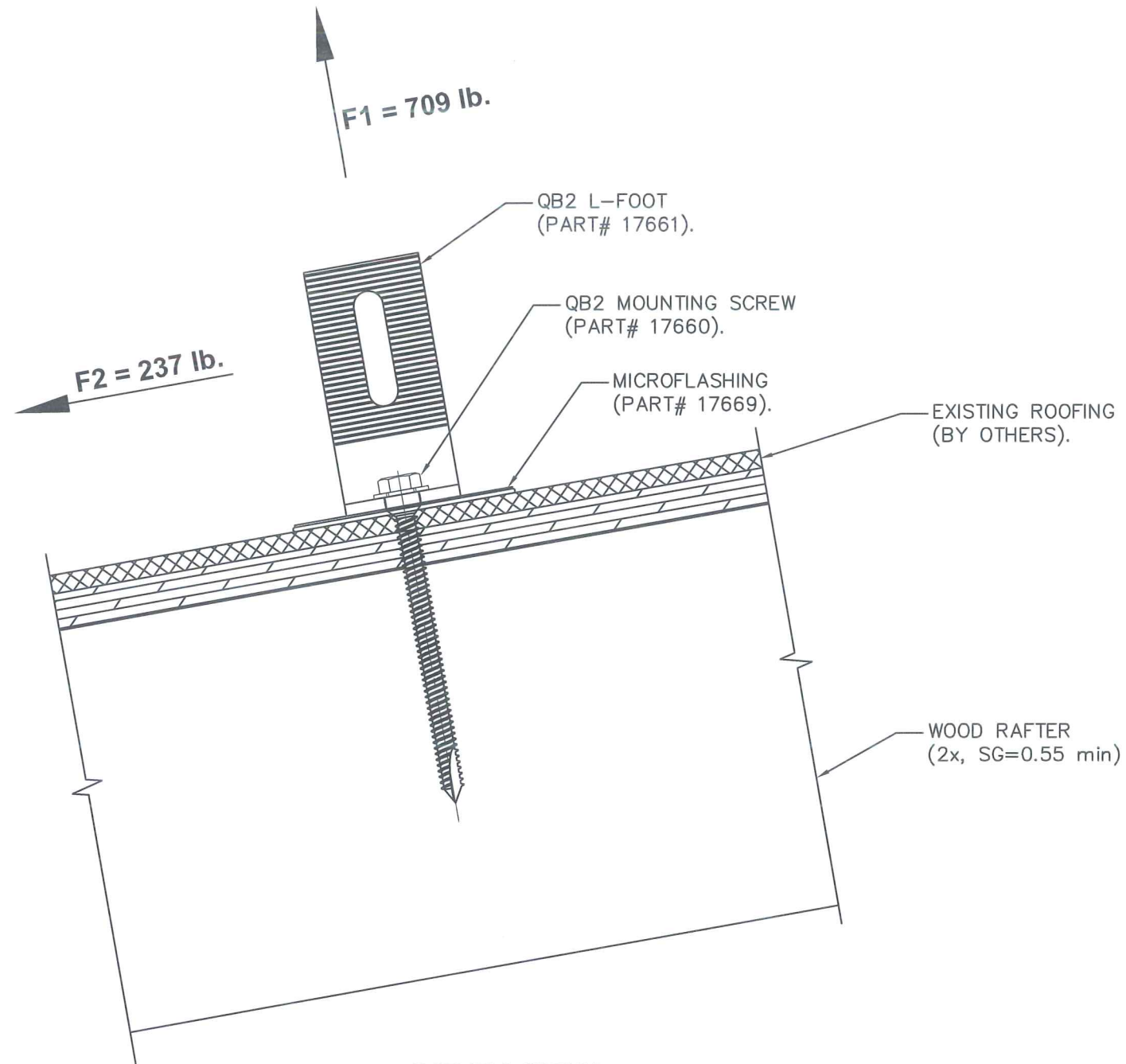
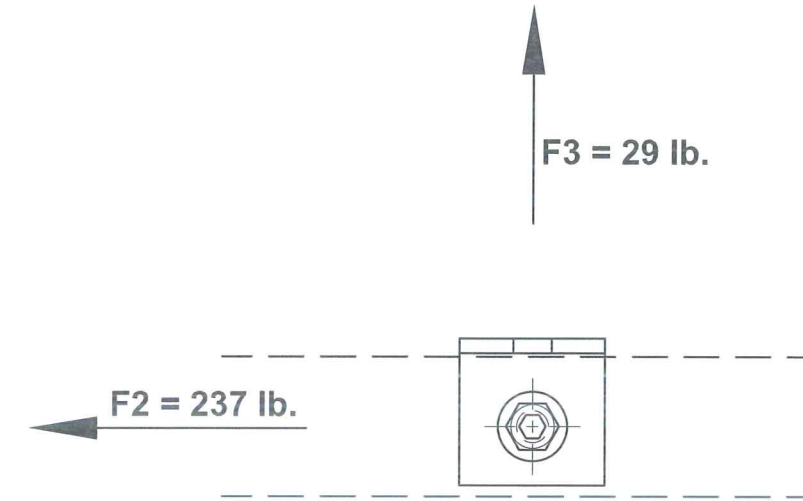


**QB2 ANCHOR BRACKET SYSTEM  
WITH 3" MICROFLASHING.**



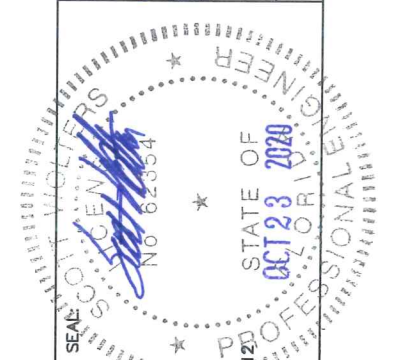
**SIDE VIEW**



**TOP VIEW**

10/5/20	DATE
---	REV.#
---	PRINTS ISSUED FOR
1ST SUBMITTAL	

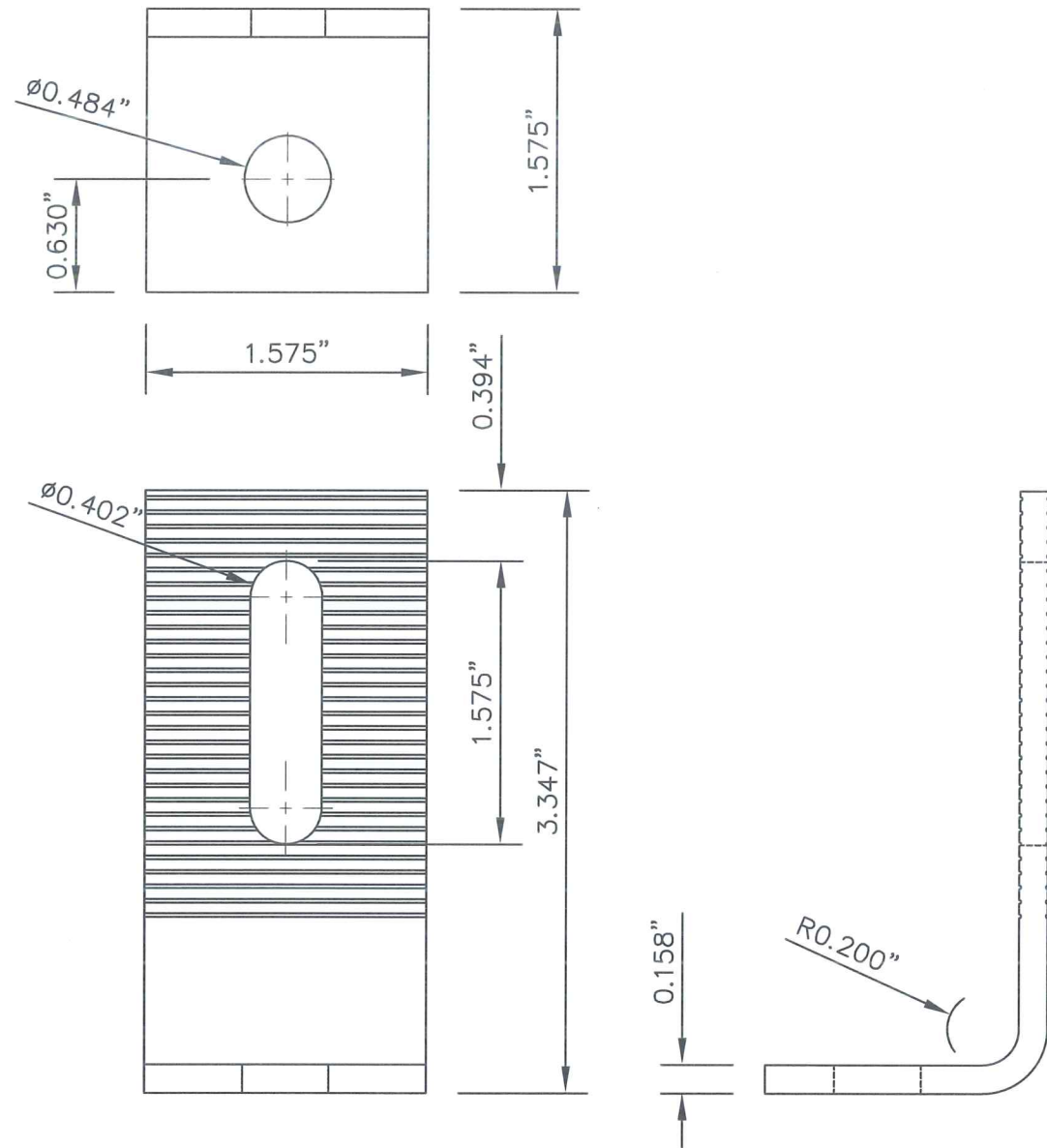
**QuickBOLT**  
 World's First UL Certified Microflashing®  
 5830 LAS POSITAS RD  
 LIVERMORE, CA 94551  
 PH: (844) 671-6045  
 WWW.QUICKBOLT.COM



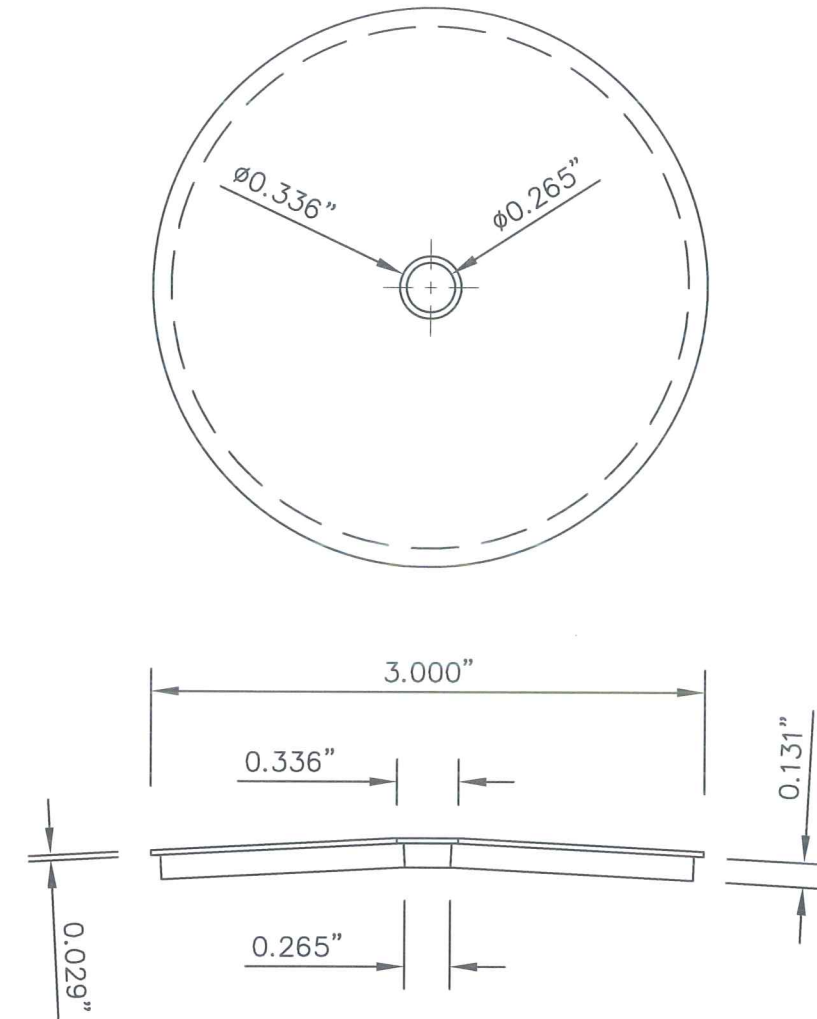
SCOTT WOLTERS  
 FL PE# 62354  
 WOLTERS ENGINEERING  
 (COA# 27194)  
 15211 97TH ROAD N  
 WEST PALM BEACH, FL 33412  
 PH/FAX: (561) 225-1982

PRODUCT:  
**QB2 KIT WITH  
 SS L-FOOT AND  
 3" MICROFLASHING**  
 DWG:  
**QB2HVHZ**  
 SHEET:  
**1/2**

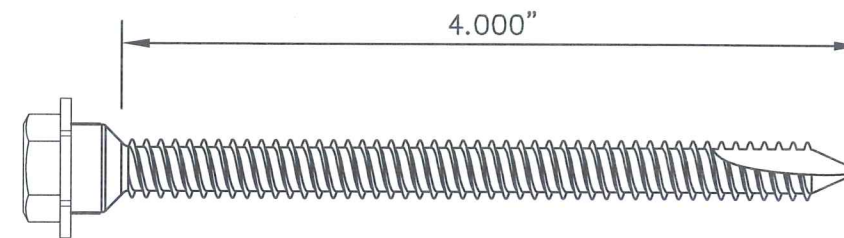
**QB2 ANCHOR BRACKET SYSTEM  
WITH 3" MICROFLASHING.**



PART# 17661 – QB2 L-FOOT BRACKET. (304 SERIES STAINLESS STEEL).



PART# 17669 – 3" MICROFLASHING. 3"Ø x 0.029" STAINLESS STEEL (304 SERIES) WASHER, WITH 2 7/8"Ø x 0.131" EPDM GASKET.



PART# 17660 – 5/16"x4" STAINLESS STEEL (304 SERIES) HEX FLANGE DUAL DRIVE WOOD SCREW.

**QuickBOLT**  
World's First UL Certified Microflashing®  
5830 LAS POSITAS RD PH: (844) 671-6045  
LIVERMORE, CA 94551 WWW.QUICKBOLT.COM

SEAL: SCOTT WOLTERS  
FL PE# 62354  
WOLTERS ENGINEERING  
(COA# 27194)  
15211 97TH ROAD N  
WEST PALM BEACH, FL 33412  
PH/FAX: (561) 225-1982

STATE OF FLORIDA  
PROFESSIONAL ENGINEER  
No. 62354  
01/23/2020

PRODUCT: QB2 KIT WITH SS L-FOOT AND 3" MICROFLASHING  
DWG: QB2HVHZ  
SHEET: 2/2

REV.#	DATE
1	10/5/20
2	
3	
4	
5	
6	
7	
8	
9	
10	
11	
12	
13	
14	
15	
16	
17	
18	
19	
20	
21	
22	
23	
24	
25	
26	
27	
28	
29	
30	
31	
32	
33	
34	
35	
36	
37	
38	
39	
40	
41	
42	
43	
44	
45	
46	
47	
48	
49	
50	
51	
52	
53	
54	
55	
56	
57	
58	
59	
60	
61	
62	
63	
64	
65	
66	
67	
68	
69	
70	
71	
72	
73	
74	
75	
76	
77	
78	
79	
80	
81	
82	
83	
84	
85	
86	
87	
88	
89	
90	
91	
92	
93	
94	
95	
96	
97	
98	
99	
100	